



SA106C-XXAS

www.sac-ontop.com.tw

6W Switching Adapter

Input

| | |
|----------------|----------------------------|
| Rated Voltage | 100 - 240 VAC |
| Max. Voltage | 90 - 264 VAC |
| Line Frequency | 47 - 63 Hz |
| Current | 250mA at 100-240VAC |
| Configuration | Australia -2PIN |

Output

| Model Name | Voltage | Current | Watt | Efficiency |
|-------------|------------|-------------|-------------|------------|
| SA106C-05AS | 5V | 1.2A | 6W | 65% |
| SA106C-09AS | 9V | 0.7A | 6.3W | 70% |
| SA106C-12AS | 12V | 0.5A | 6W | 70% |

| | |
|-----------------|--|
| Line Regulation | Less than $\pm 2\%$ |
| Load Regulation | Less than $\pm 5\%$ |
| Protections | OCP, OVP & SCP |
| Ripple & Noise | $\leq 100\text{mVp-p}$, (For 5V, 9V models) $\leq 120\text{mVp-p}$, (For 12V model) |

Environment

| | |
|-----------------|-----------------------------------|
| Operating Temp. | 0°C - 40°C |
| Storage Temp. | -20°C - 80°C |
| Humidity | 10% - 90% (Non-condensing) |
| RoHS & WEEE | Standard |

Reliability

| | |
|--------|---|
| MTBF | 50,000 hrs (by MIL-217 Standard) |
| Safety | ITE: CB |

Others

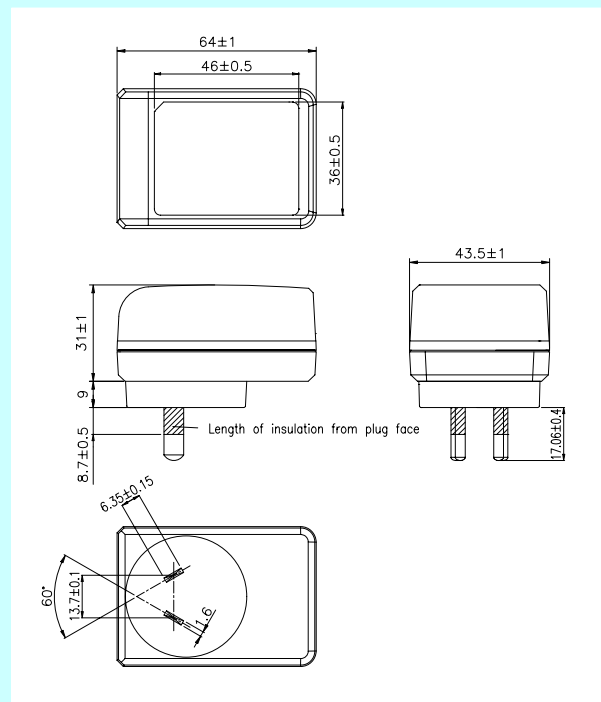
| | |
|------------|--------------------|
| Package | 100 pcs/box |
| Min. Order | 1K pcs/lot |
| Warranty | 1 year |

Electrical

| | |
|-----------------|--|
| Topology | Switching Mode |
| Hi-Pot | 3000 Vac/1sec @ 5mA (primary - secondary) |
| Leakage Current | $\leq 0.25\text{mA}$, at 264VAC/50Hz |
| Hold Up Time | ≥ 6 mSec |
| Standby Power | ≤ 0.5 Watt |
| EMI | Complies with EMI directives |
| CEC Requirement | Standards for Power Supplies Effective January 1, 2008 (Efficiency Level: IV) |

Mechanical

| | |
|---------------|-----------------------------------|
| Case Size | 64L x 45W x 31H mm |
| Case Material | Black, 94V-1 or equivalent |
| Weight | 90 \pm 5 g |
| DC Cord | 6ft |



For reference only. For details please contact your local sales representative