



SA30-XXU

www.sac-ontop.com.tw

30W Switching Adapter Series

Input

Rated Voltage	100 - 240 VAC
Max. Voltage	90 - 264 VAC
Line Frequency	47 - 63 Hz
Current	1000mA, at 100-240VAC
Configuration	IEC-320, C8 2PIN

Output

Model Name	Voltage	Current	Watt	Efficiency
SA30-05U	05V	3.5A	17.5W	65%
SA30-09U	09V	3.0A	27.0W	70%
SA30-12U	12V	2.5A	30.0W	75%
SA30-15U	15V	2.0A	30.0W	75%
SA30-18U	18V	1.5A	30.0W	75%
SA30-24U	24V	1.3A	31.2W	75%
SA30-33U	33V	1.0A	33.0W	80%

Line Regulation	$\leq \pm 2\%$
Load Regulation	$\leq \pm 5\%$
Protections	OCP, OVP & Short circuit
Ripple Voltage	$\leq 100\text{mVp-p}$ (For 5V, 9V models) $\leq 1\%V_o$ (For 12V ~ 33V models)

Environment

Operating Temp.	0°C - 40°C
Storage Temp.	-20°C - 80°C
Operating Humidity	20% - 80% (Non-condensing)

Reliability

MTBF	100,000 hrs (by MIL-217 Standard)
Safety	ITE : UL, CSA, TUV/GS, CE, CB, PSE, NOMKO, DEMKO, FIMKO, SEMKO

Others

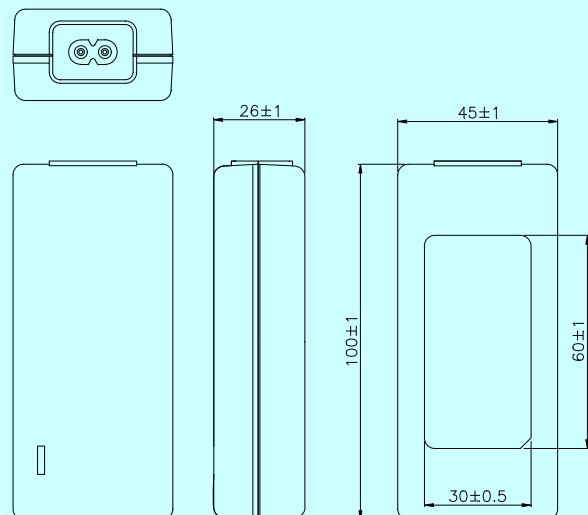
Package	60 pcs/box
Min. Order	1K pcs/lot
Warranty	1 year

Electrical

Topology	Switching Mode
Hi-Pot	3000 Vac/1sec @ 5mA (primary - secondary)
Leakage Current	$\leq 0.25\text{mA}$, at 240VAC/50Hz
Hold Up Time	≥ 10 mSec.
Standby Power	≤ 3 Watt
Consumption	
EMI	Complies with EMI directives

Mechanical

Case Size	100L x 45W x 26H mm
Case Material	Black, 94V-1 or equivalent
Weight	175, ± 5 g
DC Cord	6ft
LED indicator	As drawing



For reference only. For details please contact your local sales representative.