

Battery Charger LTE1000B

Features:

- AC/DC or DC/DC Charger for lead-acid batteries(flooded, Gel and AGM) and Li-ion batteries
- 2/3/8 stage charging selectable on output panel
- Built-in battery rescue function
- Universal AC input
- Controlled by microprocessor
- Built-in active PFC function
- Built-in remote ON-OFF control

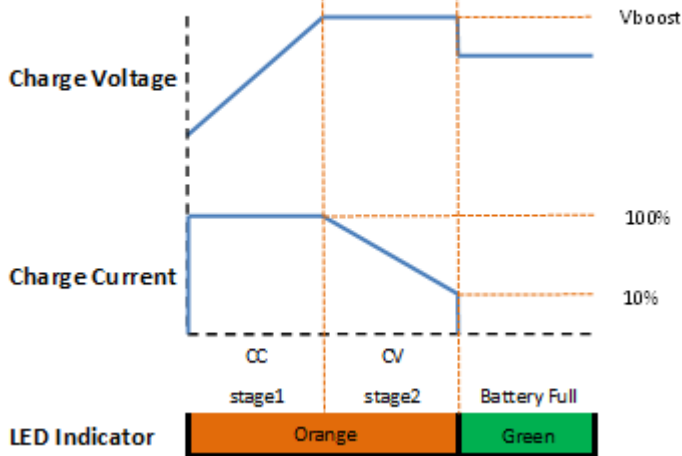


SPECIFICATION

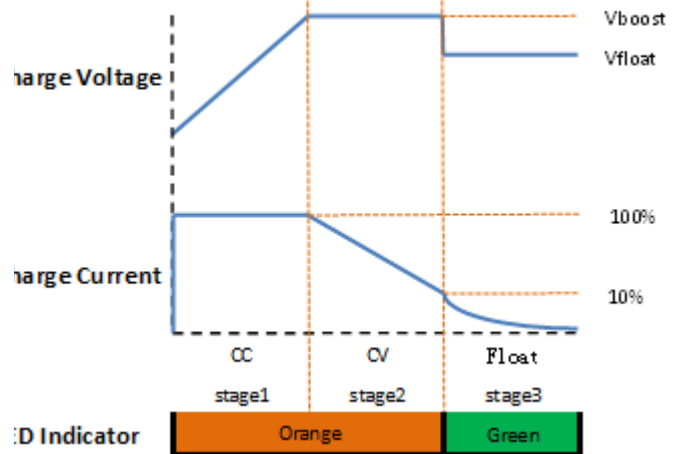
MODEL		LTE1000B-BC12-00	LTE1000B-BC24-00	LTE1000B-BC48-00
OUTPUT	BOOST CHARGE VOLTAGE Vboost	14.4V	28.8V	57.6V
	FLOAT CHARGE VOLTAGE Vfloat	13.8V	27.6V	55.2V
	OUTPUT CURRENT	50A	34.7A	17.4A
INPUT	VOLTAGE RANGE	90~264VAC or 127~370VAC		
	FREQUENCY RANGE	47~63Hz		
	POWER FACTOR	0.95@230Vac Full load, 0.98@115Vac Full load		
	EFFICIENCY	85%	88%	89%
	AC CURRENT	12A/115Vac	5.2A/230Vac	
	INRUSH CURRENT	25A/115Vac	50A/230Vac	
	LEAKAGE CURRENT	<3.5mA		
PROTECTION	OVER VOLTAGE	62.5~64.5V Protected type: Lacth		
	OVER TEMPERATURE	Protected type: Auto recovers		
	REVERSE POLARITY	By internal circuit		
	SHORT CIRCUIT	By internal circuit		
FUNCTION	REMOTE CONTROL	OPEN: Disable SHORT: Enable		
	BATTER BANKS	2 Banks (A & B)		
	FAST CHARGE	2/3/8 stage		
	OUTPUT STATUS	Relay out 30V/1A: Short_working, Open_Failure or Protection		
	CHARGER STATUS	Relay out 30V/1A: Short_Battery Full, Open_Still Charging		
	TEMPERATURE COMPESATION	By NTC		
ENVIRONMENTAL	OPERATING TEMPERATURE	0~50°C		
	STORAGE TEMPERATURE	-40~85°C		
	STORAGE HUMIDITY	5%~95% RH Non-Condensing		
	VIBRATION	Random— Operating , 3 axes , 50~500Hz , 10 minutes/axis ---- 2.4Grms Max.		
	SHOCK	Operating , Half Sine , 3 axes , 10 mS , 6 shocks total ---- 20Gpk Max.		
SAFETY	SAFETY STANDARDS	UL60335, EN60335		
OTHER	DIMENSION	308*186.8*69.8mm(L*W*H)		
	WEIGHT	3.2Kg		

Charge Curve

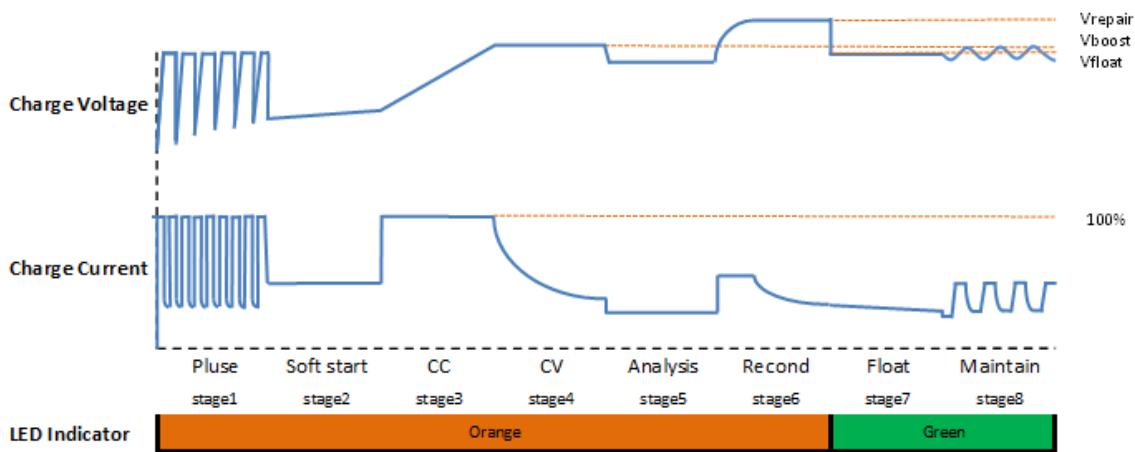
2 Stage Charge Curve



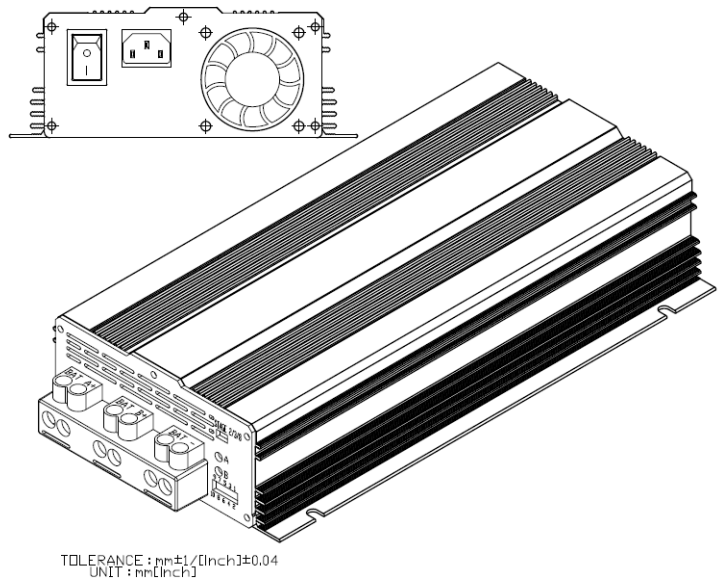
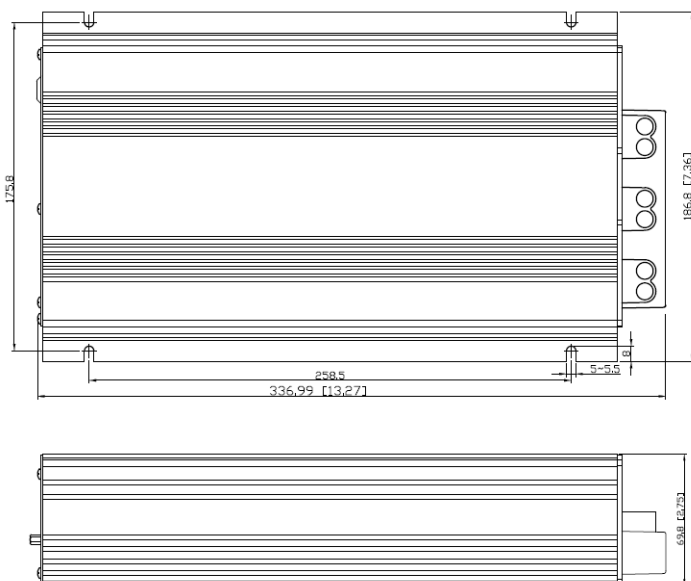
3 Stage Charge Curve



8 Stage Charge Curve



MECHANICAL SPECIFICATIONS



TOLERANCE : mm±1/[Inch]±0.04
UNIT : mm(Inch)

