



SA115C-XXZ

www.sac-ontop.com.tw 15W Switching Adapter with Exchangeable AC Plug

Input

Rated Voltage	100 - 240 VAC
Max. Voltage	90 - 264 VAC
Line Frequency	47 - 63 Hz
Current	400mA at 100-240VAC
Configuration	UL-2PIN

Output

Model Name	Voltage	Current	Watt	Efficiency
SA115C-03	3V	3.0A	9W	65%
SA115C-05	5V	3.0A	15W	70%
SA115C-09	9V	1.7A	15.3W	75%
SA115C-12	12V	1.3A	15.6W	75%
SA115C-15	15V	1.0A	15W	75%
SA115C-24	24V	0.65A	15.6W	75%

Line Regulation	Less than $\pm 2\%$
Load Regulation	Less than $\pm 5\%$
Protections	OCP, OVP & Short circuit
Ripple & Noise	$\leq 100\text{mVp-p}$ (3V, 5V, 9V) $\leq 150\text{mVp-p}$ (12V, 15V) $\leq 200\text{mVp-p}$ (24V)

Environment

Operating Temp.	0°C - 40°C
Storage Temp.	-20°C - 80°C
Operating Humidity	20% - 80% (Non-condensing)
RoHS & WEEE	Standard

Reliability

MTBF	50,000 hrs (by MIL-217 Standard)
Safety	ITE : UL, CSA, TUV, CB, CE PSE

Others

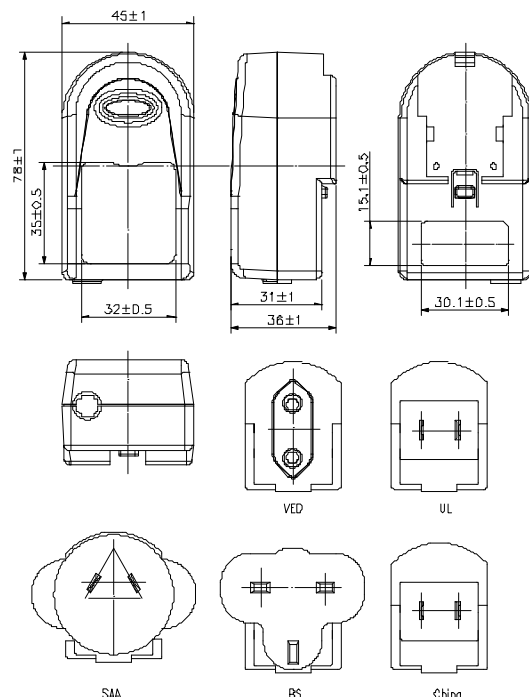
Package	TBD pcs/box
Min. Order	1K pcs/lot
Warranty	1 year

Electrical

Topology	Switching Mode
Hi-Pot	3000 Vac/1sec @ 5mA (primary - secondary)
Leakage Current	$\leq 0.25\text{mA}$, at 240VAC/50Hz
Hold Up Time	≥ 6 mSec
Standby Power	≤ 0.5 Watt
Consumption	
EMI	Complies with EMI directives
ERP Requirement	Efficiency Level: Stage 2
MEPS Requirement	Efficiency Level :V
(3V & 24V only comply with CEC IV, ERP I, MEPS IV)	

Mechanical

Case Size	78L x 45W x 36H mm
Case Material	Black, 94V-1 or equivalent
Weight	165, ± 5 g
DC Cord	4.92ft



For reference only. For details please contact your local sales representative