



SA106G-XXS

www.sac-ontop.com.tw

6W Switching Adapter

Input

Rated Voltage	100 - 240 VAC
Max. Voltage	90 - 264 VAC
Line Frequency	47 - 63 Hz
Current	300mA at 100-240VAC
Configuration	UL-2PIN

Output

Model Name	Voltage	Current	Watt	Efficiency
SA106G-09S	9V	0.67A	6W	70%
SA106G-12S	12V	0.5A	6W	70%
SA106G-24S	24V	0.25A	6W	70%
Line Regulation	Less than $\pm 5\%$ (9V $\pm 7\%$)			
Load Regulation	Less than $\pm 5\%$ (9V $\pm 7\%$)			
Protections	OCP, OVP & SCP			
Ripple & Noise	$\leq 120\text{mVp-p}$, (For 9V, 12V) $\leq 300\text{mVp-p}$, (For 24V)			

Environment

Operating Temp.	0°C - 40°C
Storage Temp.	-20°C - 80°C
Humidity	10% - 90% (Non-condensing)
RoHS & WEEE	Standard

Reliability

MTBF	50,000 hrs (by MIL-217 Standard)
Safety	ITE: UL, cUL

Others

Package	100 pcs/box
---------	-------------

Min. Order 1K pcs/lot

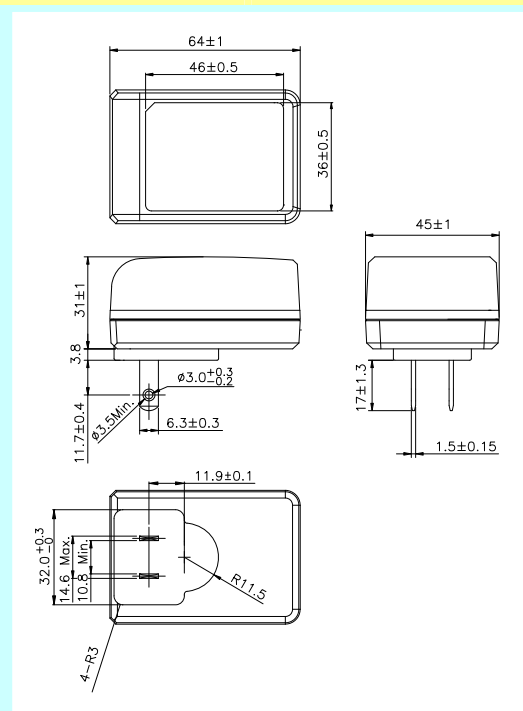
Warranty 1 year

Electrical

Topology	Switching Mode
Hi-Pot	3000 Vac/1sec @ 5mA (primary - secondary)
Leakage Current	$\leq 0.25\text{mA}$, at 264VAC/50Hz
Hold Up Time	≥ 6 mSec
Standby Power	≤ 0.3 Watt
EMI	Complies with EMI directives
Energy Star Requirement	EPS 2.0 (Efficiency Level V)

Mechanical

Case Size	64L x 45W x 31H mm
Case Material	Black, 94V-1 or equivalent
Weight	95 \pm 10 g
DC Cord	4.92ft



For reference only. For details please contact your local sales representative