



# SA103K-XXBS

[www.sac-ontop.com.tw](http://www.sac-ontop.com.tw)

3W Switching Adapter

## Input

Rated Voltage	100 - 240 VAC
Max. Voltage	90 - 264 VAC
Line Frequency	47 - 63 Hz
Current	100mA at 100-240VAC
Configuration	British -2PIN

## Output

Model Name	Voltage	Current	Watt	Efficiency
SA103K-05BS	5V	0.6A	3W	65%
*SA103K-07BS	*7V	0.43A	3.01W	68%
SA103K-09BS	9V	0.34A	3.06W	70%
SA103K-12BS	12V	0.25A	3W	70%
Line Regulation	Less than $\pm 2\%$			
Load Regulation	Less than $\pm 5\%$			
Protections	OCP, OVP & SCP			
Ripple & Noise	$\leq 150\text{mVp-p}$			

## Environment

Operating Temp.	0°C - 40°C
Storage Temp.	-20°C - 80°C
Humidity	10% - 90% (Non-condensing)
RoHS & WEEE	Standard

## Reliability

MTBF	50,000 hrs (by MIL-217 Standard)
Safety	ITE: CE, CB(without 7V)

## Others

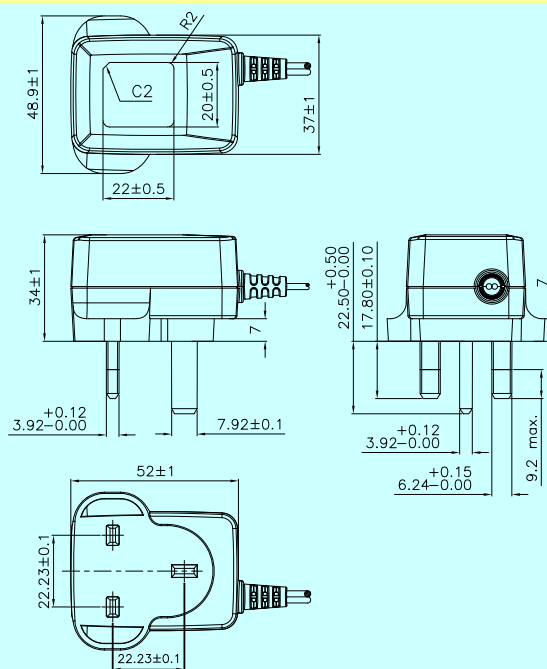
Package	100 pcs/box
Min. Order	1K pcs/lot
Warranty	1 year

## Electrical

Topology	Switching Mode
Hi-Pot	3000 Vac/1sec @ 5mA (primary - secondary)
Leakage Current	$\leq 0.25\text{mA}$ , at 264VAC/50Hz
Hold Up Time	$\geq 6\text{ mSec}$
Standby Power	$\leq 0.3\text{ Watt}$
EMI	Complies with EMI directives
ErP Requirement	Efficiency Level: Stage 2

## Mechanical

Case Size	52L x 37W x 27H mm
Case Material	Black, 94V-1 or equivalent
Weight	62 $\pm 5$ g
DC Cord	4.92ft



For reference only. For details please contact your local sales representative